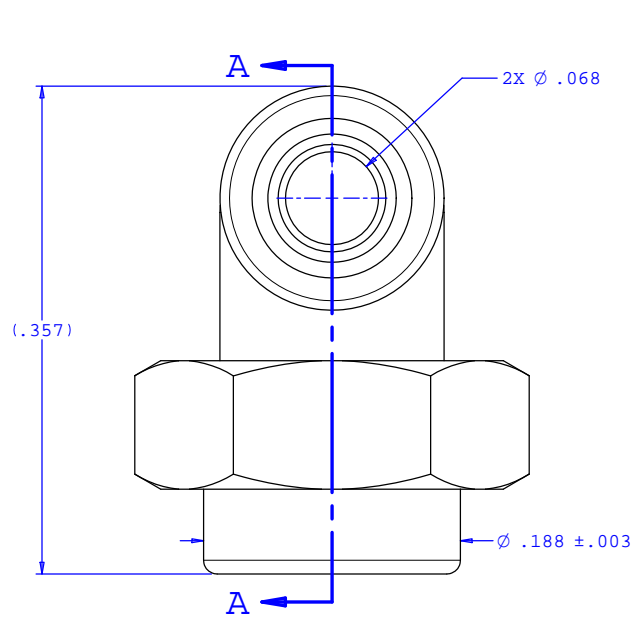
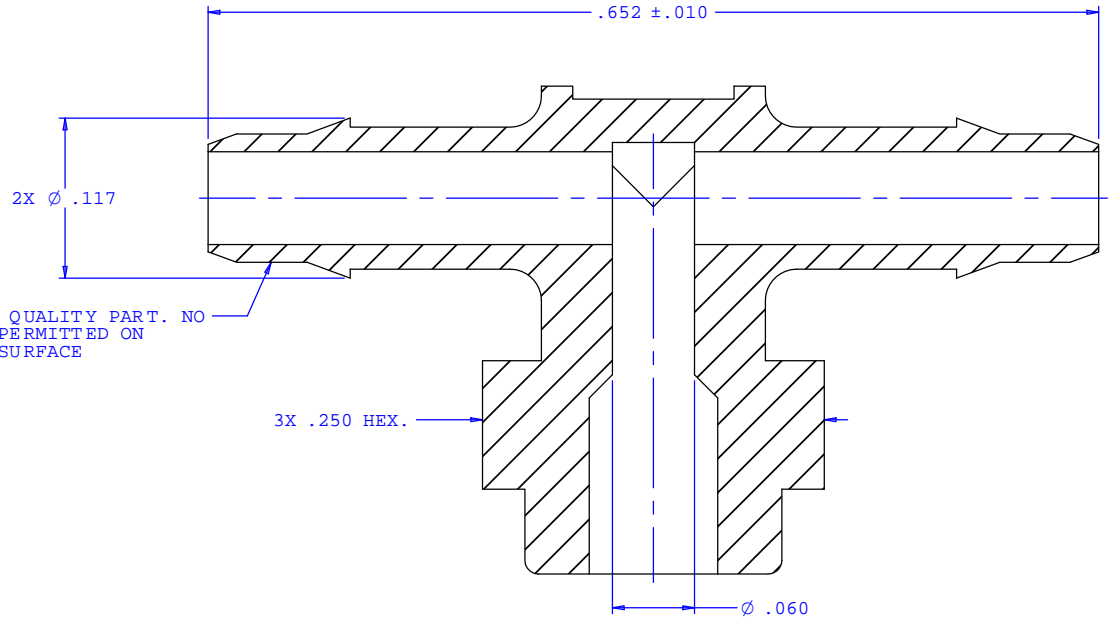


NOTE: FOR MORE DETAILS SEE YOUR V.P.CUSTOMER SERVICE REP.

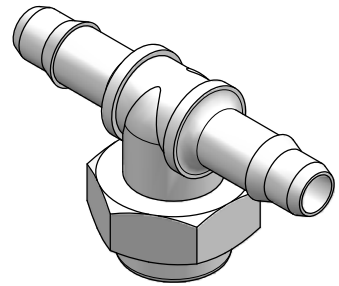
REVISIONS			
REV.	DESCRIPTION	DATE	APPROVED
A	INITIAL RELEASE	12-08-97	
B	CO 046 Drafting Update	11-30-07	Rick C.



2X INSTRUMENT QUALITY PART. NO PARTING LINE PERMITTED ON THIS CONICAL SURFACE



SECTION A-A



UNLESS OTHERWISE SPECIFIED DIMENSIONS ARE IN INCHES TOLERANCES ARE:		VALUE PLASTICS, INC.	
FRACTIONS ±	DECIMALS ±	ANGULAR ±1°	PART NUMBER: BDMT4 20
.XX ±.01	.XXX ±.005		DESCRIPTION: Bondable Tee 400 Series Barb, 3/32" (2.25 mm) ID Tubing
.XXXX ±.001			
DO NOT SCALE DRAWING			
DRAWN BY: Frank Lombardi	DATE: 05-08-06	SIZE: B	SCALE: NTS
Engineer/Manager: Rick Cairns		DRAWING NUMBER: 1008787	REV. B
© 2006 VALUE PLASTICS, INC.			SHEET: 1 OF 1

FOR REFERENCE ONLY